

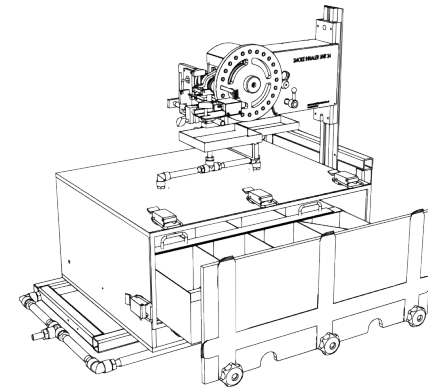
## Risk assessment

Company: Promech Lab Holding AB

Product model : SIU24

Risk assessment written by Mikael Modh

Probability of incident: unlikely / possible / probable



Activity/System part	Hazard/Risk	Probability of incident	Control Measures	Review date
Cigarette smoke	eye irritation, headache, cough, sore throat, dizziness and nausea, long-term exposure leads to an increased risk of a range of smoking-related diseases	probable	Place the SIU24 hardware in a closed fume hood connected to an external laboratory ventilation system, avoid opening the fume hood when the machine is running	January 20, 2011
Cigarette ashes	exposure to hot cigarette ashes	possible	Use a pair of tweezers when removing the cigarette butts from the cigarette wheel, use protective gloves when emptying the cigarette ashtray	January 20, 2011
Cigarette wheel	moving parts	unlikely	Avoid contact with the cigarette wheel when it is turning	January 20, 2011
Cigarette lighter	burn injury	possible	Avoid contact with the lighter wire, let the lighter wire cool down before performing lighter adjustments	January 20, 2011
Valves	finger injuries	unlikely	Avoid contact with the air and smoke valve when the machine is running	January 20, 2011
Animal box	back injuries from heavy lifts, finger injuries	unlikely	Use proper lifting technique to avoid back problems when moving the animal box, avoid finger injuries by placing the animal box carefully in the smoke chamber	January 20, 2011
Smoke chamber	back injuries from heavy lifts, finger injuries	unlikely	Use proper lifting technique to avoid back problems when moving the smoke chamber, avoid finger injuries by placing the animal box carefully in the fume hood	January 20, 2011
Hardware mounting	back injuries from heavy lifts, finger injuries	unlikely	Use proper lifting technique to avoid back problems when moving or mounting the SIU24 hardware, avoid finger injuries by placing or mounting the SIU24 hardware carefully	January 20, 2011
Cleaning	skin and eye irritation from cleaning agents	possible	Use protective gloves and glasses when using chemicals for cleaning	January 20, 2011
VCU laser diode	laser radiation (class 3A laser)	possible	Avoid eye or skin exposure to direct or scattered radiation	January 20, 2011